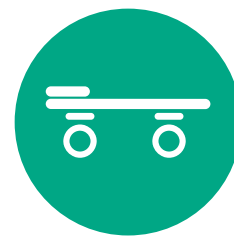


Francis AV 2.0

Electric bariatric couch



COUCHES

Frequent usage

Outpatient clinic
Bariatric
Diagnostic Ultrasound
Endoscopic examinations
Physiotherapy
Medical Centre



**TECHNOLOGY &
FUNCTIONALITY**

multifunctional device
for specialized activities



www.gardhenbalance.it



VERSATILE & SAFE

The **multifunctional bariatric examination couch** is extremely versatile and can be used for a variety of specialist examinations. Due to its sturdiness, it allows the patient's position to be adjusted for comfort during the examination or other medical procedures.



2 SECTIONS

Two sections with reinforced frame for the comfort of the bariatric patient.

QUICK RELEASE LEVER

Lever for manual release of the back section.

CENTRALIZED BRAKE

Braking system with bilateral levers to activate the directional system.





Standard equipment

- Top divided into two sections with power-assisted backrest articulation.
- Adjustable backrest with gas actuator.
- Reinforced frame made of steel painted with thermosetting epoxy powder enriched with antibacterial, color customization upon request.
- Quick release of the backrest, to facilitate CPR maneuver - Equipment code AC8L.
- Upholstery made of class 11M leatherette, a material that can be sanitized with commonly used detergents and medical surgical aids, with antibacterial, antifungal, stain-resistant properties. Color customization upon request - Equipment code AC87/1.
- Padding made of high-density foam resin.
- Motorized variable height through high-stability columns.
- Motorized trendelenburg and reverse trendelenburg via rectangular-section telescopic columns - Equipment code AC152.
- 150 mm diameter swivel and antistatic wheel kit with braking and directional system operated by bilateral pedals.
- Centralized braking device with directional system made of galvanized steel. Operated by means of 2 bilateral pedals - Equipment code AC7L2G.
- Equipotential node.
- Handset for handling movements.

Do you want to change the color of the upholstery and frame?

Frame or click the QR codes and find out how to personalize the device by consulting our color cards*.

*If no preference is expressed, the device will be supplied with the available color.

Upholstery
Lethearette

Upholstery
Silicon

Frame



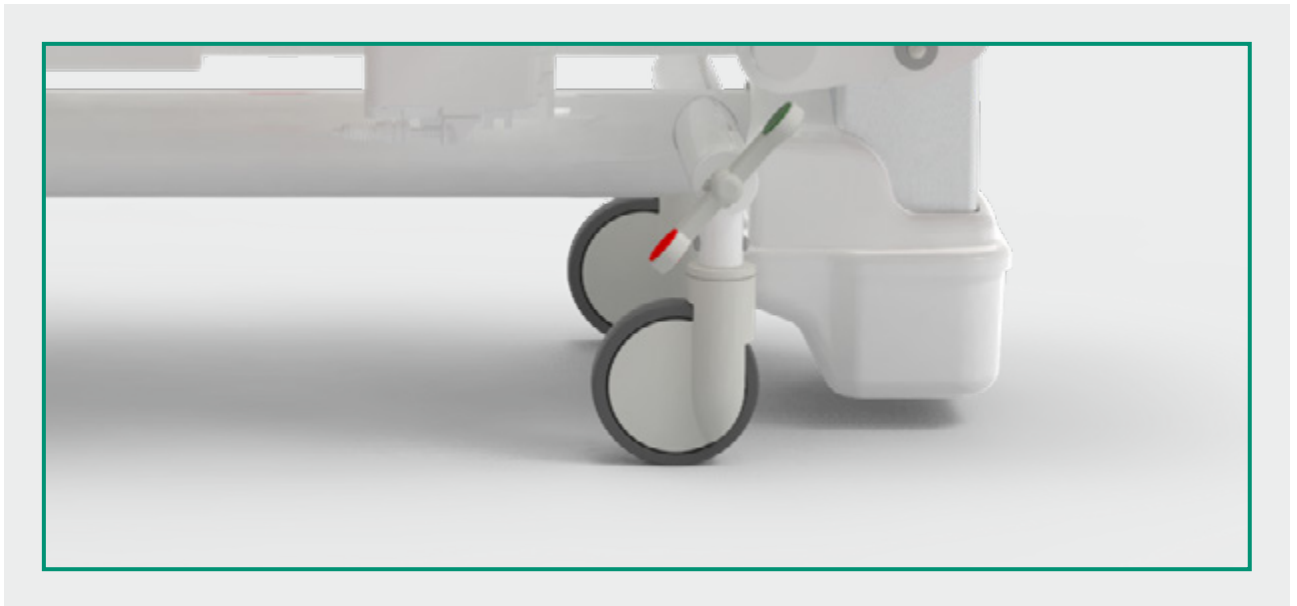
Do you want to improve the device?

Frame the QR code and discover all the available accessories consulting the catalog.



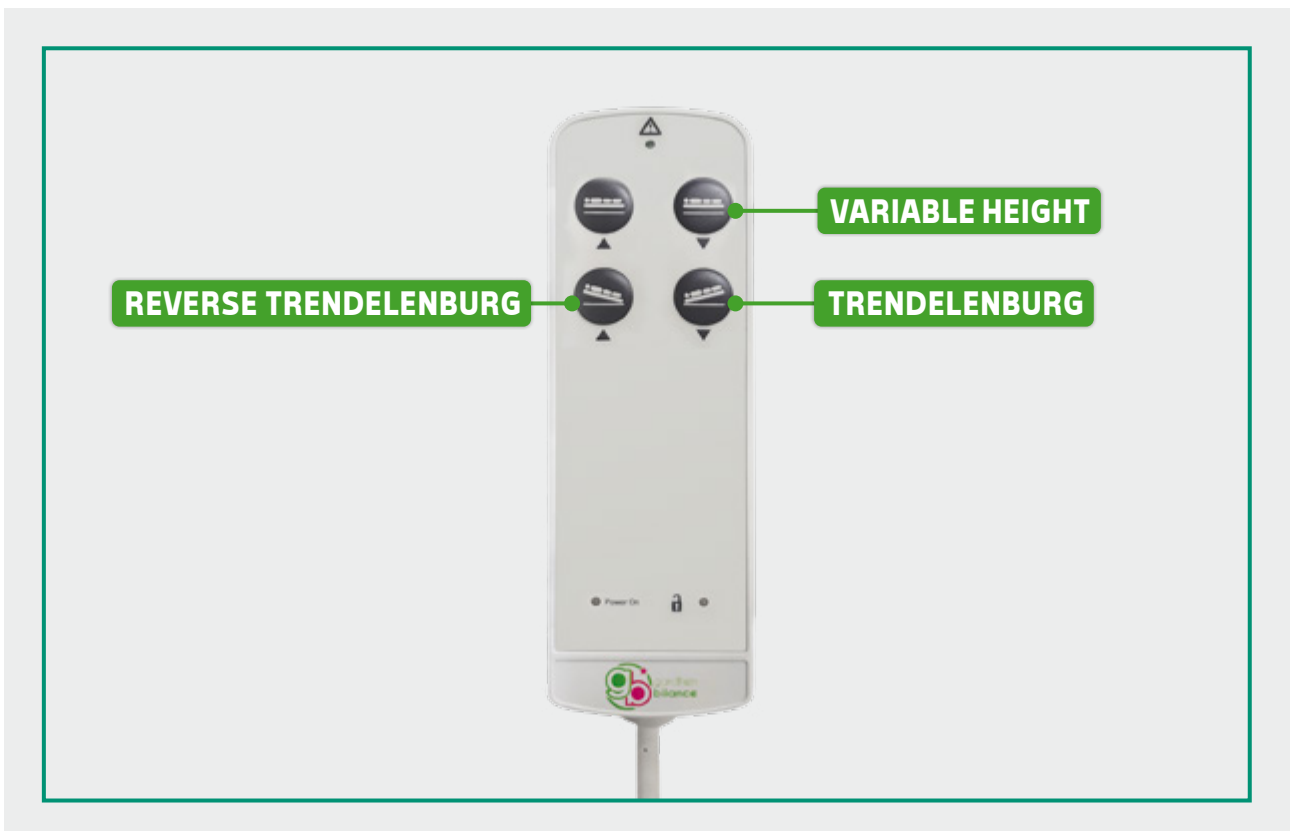
Braking system

Centralized braking system with directional mode. Operated by the special bilateral pedals easily accessible by the operator - Equipment code AC7L2/G.



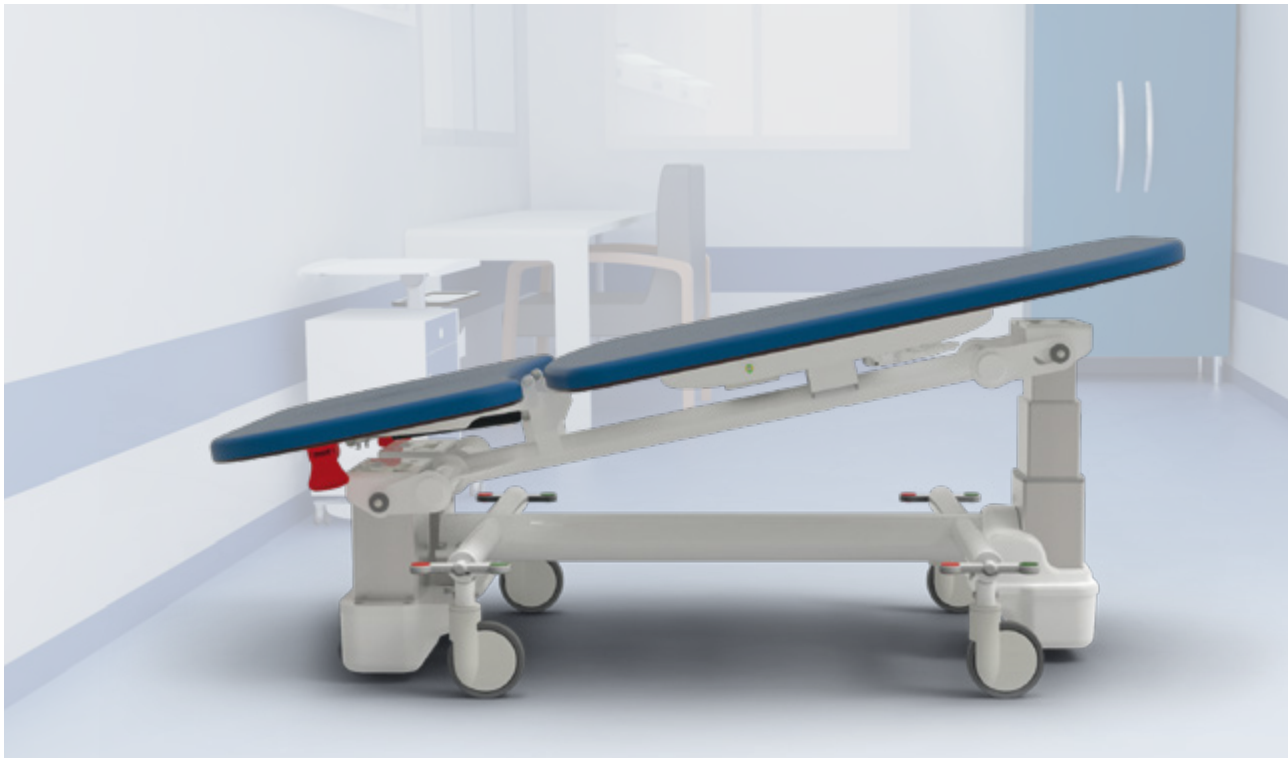
Handset

All movements of the device are controlled by a perimeter push-button panel equipped with a 3.5 m coiled cable. The hand control is easy to use as it is made with large raised pictograms and is also suitable for visually impaired patients; IP66 insulation.





Movements



TRENDELENBURG



REVERSE TRENDELENBURG



Movements



VARIABLE HEIGHT VIA MOTORIZED COLUMNS

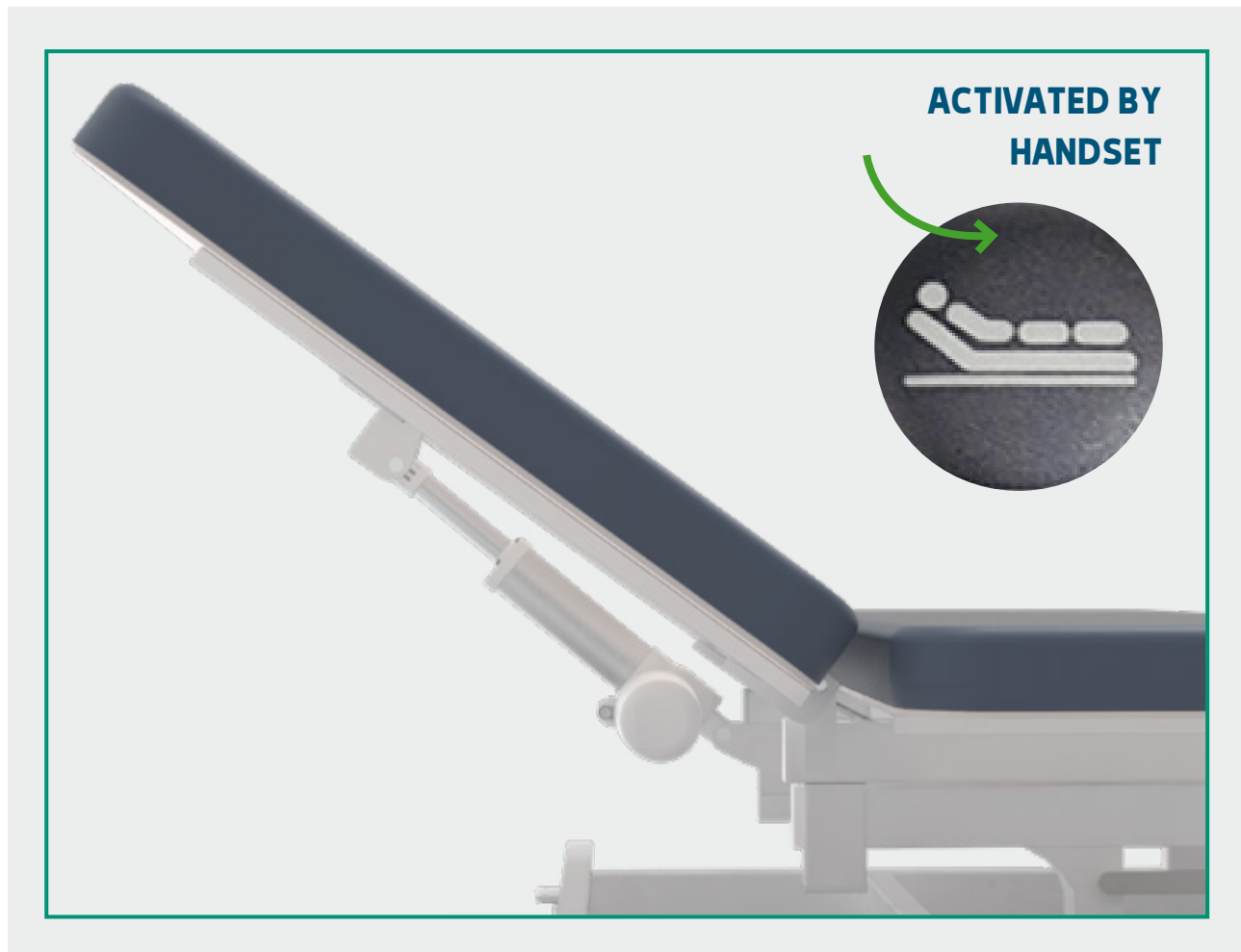


BACKREST ADJUSTMENT



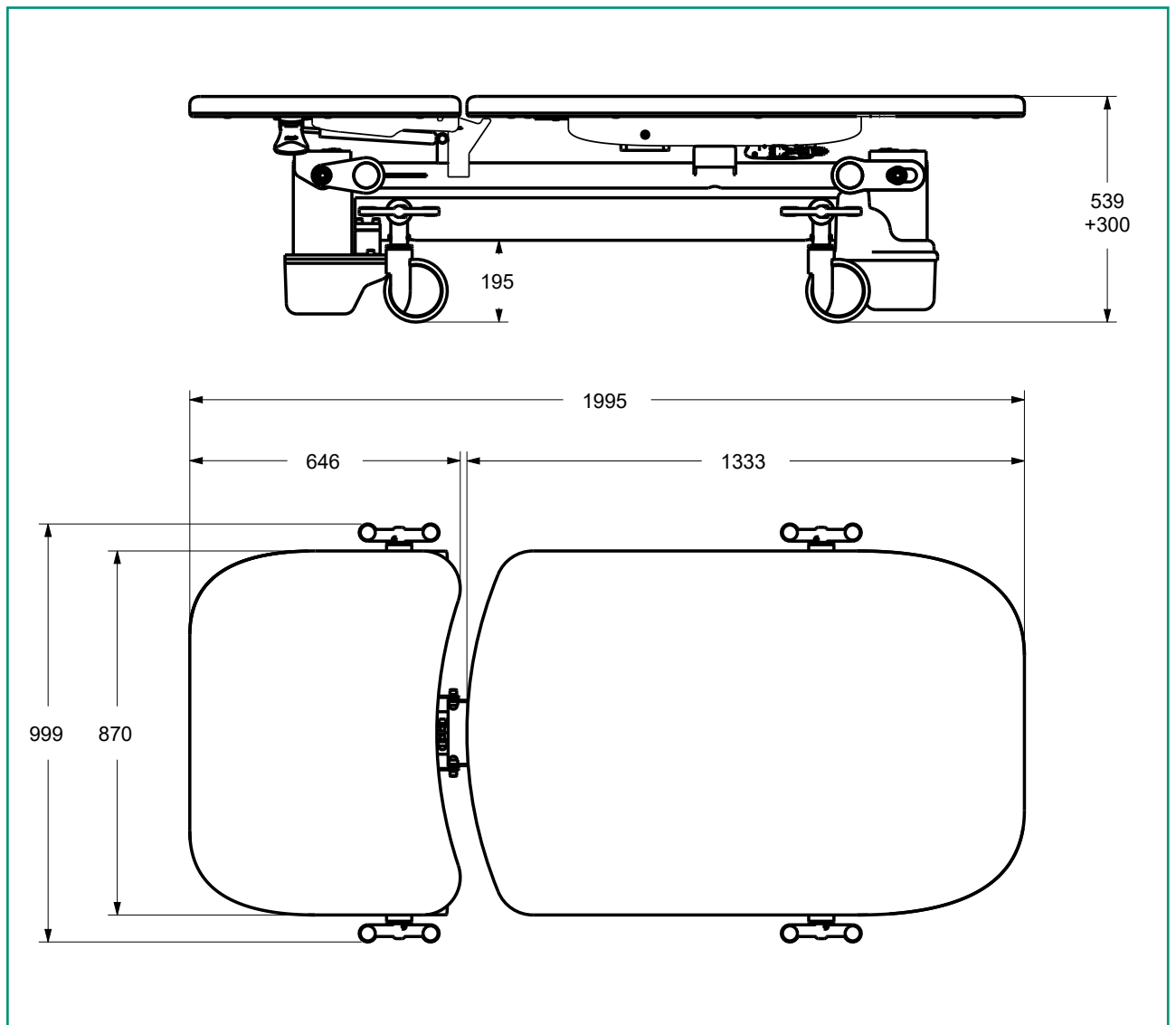
Motorized backrest that can be activated by handset control

It is possible to equip the back section with a motor - Optional component code AC107, which can be activated electrically with the help of the perimeter hand control equipped with a 3.5 m coiled cable. The hand control is easy to use as it is made with large raised pictograms and is also suitable for visually impaired patients; IP66 insulation.





Dimension



Main cord



Type F
Schuko



Type L
16A



Type I
Australia



Type B
Canada
and USA



Type G
UK plug



Technical Sheet

CND/EMDN	V080603
UDI-DI di Base	805771740LVISKK
No. progressive/R	2440419/R
ID Code	GB0038.SP-2 Painted steel
Intended Use	Multifunctional couch
Manufacturer	GARDHEN BILANCE SRL
Spare parts availability	10 years
Table weight	80 kg
Wheels	150 mm diameter wheel kit complete with centralized brake and directional system operated by bilateral foot pedal
Type of control	Handset
Power	Multivoltage 100-240 Vac 50-60 Hz
Main cord	Schuko or other upon request
Electric motors	Low voltage (24 V)
Max absorption	4A
Insulation	IP44
Max load capacity	350 kg
Safe Workload	385 kg

Gardhen Bilance S.r.l

Via G. Luraghi c/o Consorzio Il Sole - lotto S - 80038 Pomigliano d'Arco (NA) - Italy

Tel. +39.081.8692160 pbx - Fax +39.081.8692460

E-mail: info@gardhenbilance.it - PEC: gardhenbilance@pec.it

Visit our website www.gardhenbilance.it / Follow us on     

Images reproduced in this sheet are for reference only and dimensional values are nominal. It is the manufacturer's right to make changes to the designs without prior notice. Refer to the accessories catalog and/or commercial proposals for the identification of standard equipment and the selection of any additional components. In case of discrepant data, the contents of the commercial proposals shall prevail. In the event that preferences are not expressed regarding the colors of the devices ordered, the same, will be made in the colors shown in the data sheet/brochure.

For regulatory references, please refer to the user manual and declaration of conformity.

Dep. EN_152 rev 10/05/2024